

***greensIRON***  
3000

## TURF BROOM KIT

INSTRUCTION BOOKLET



Wood Bay Turf Technologies

2003

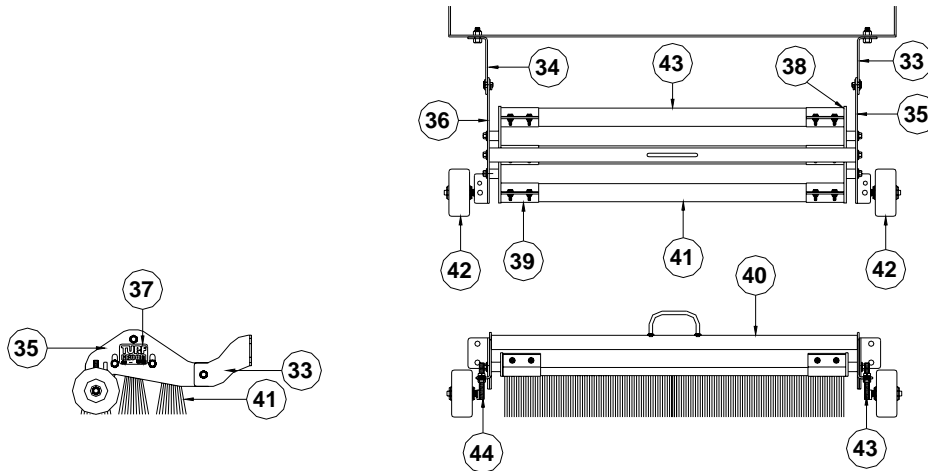
## PURPOSE OF THE KIT

The purpose of this *greensIRON 3000* Turf Broom Kit is to enable owners of our turf rollers to install this equipment for specific turf care practices. The turf broom has been developed to assist turf managers to evenly, accurately and quickly knitting-in-top dressing to golf course greens, tees, baseball fields and manicured grass in evenly and quickly knitting-in top dressing.

The turf broom kit contains all of the parts and fasteners that should be required to install it on any *greensIRON 3000* turf roller. When shipped separately, the turf broom accessory is almost completely assembled. When the turf broom is shipped with a *greensIRON 3000* it is only partially assembled and the attached set up instructions should be followed.

## PARTS IDENTIFICATION DIAGRAM

The component numbers used for the turf broom in this illustration are the same as those used in the *greensIRON 3000* operators' manual for ease of comparison.



33	Support Bracket--Right	1	30	V02	268
34	Support Bracket--Left	1	30	V02	269
35	End Bracket--Right	1	30	T08	594
36	End Bracket--Left	1	30	T08	595
37	Identification Decal Package	1	30	T08	525
38	Main Clamp Fixture	2	30	T09	593
39	Movable Clamp Plate	6	30	T12	596
40	Turf Broom Weight Bar Assembly	1	30	T22	588
41	Broom -- 2" x 3'	3	30	T13	629
42	Wheel, caster with bearing	2	30	T08	660
43	Broom Height Adjuster--Right	1	30	T08	560
44	Broom Height Adjuster--Left	1	30	T08	561

# WOOD BAY TURF TECHNOLOGIES

## greensIRON 3000 Turf Broom Kit

Part Numbers	DETAILED DESCRIPTIONS	QTY
<b>33</b>	30 V02 268 Support Bracket (Right Hand)	1
	30 V02 834 Bolt 1/2 x 1 1/2" NC	2
	30 V02 858 Nut, Nylock 1/2" NC	2
	30 V02 867 Washer, Flat 1/2" SAE	6
	30 T02 833 Bolt 1/2 x 1 1/4" NC	2
	30 T02 846 Nut 1/2" NC	2
	30 T02 867 Washer, Flat 1/2" SAE	2
	30 T02 877 Washer, Lock 1/2"	2
<b>34</b>	30 V02 269 Support Bracket (Left Hand)	1
	30 T03 833 Bolt 1/2 x 1 1/4" NC	2
	30 T03 846 Nut 1/2" NC	2
	30 T03 867 Washer, Flat 1/2" SAE	2
	30 T03 877 Washer, Lock 1/2"	2
<b>43</b>	30 T08 560 Broom Height Adjuster and Axle	1
<b>44</b>	30 T08 560 Broom Height Adjuster and Axle	1
	30 T08 846 Nut 1/2" NC	4
<b>35</b>	30 T08 594 End Bracket--RH	1
<b>36</b>	30 T08 595 End Bracket--LH	1
	30 T08 846 Nut 1/2" NC	4
	30 T08 867 Washer, Flat 1/2" SAE	4
<b>42</b>	30 T08 660 Wheel with Bearing for Turf Broom Support	2
<b>38</b>	30 T09 100 Main Clamp Fixture	2
	30 T09 267 Spacer, 1/2" ID, 1" Long	4
	30 T09 836 Bolt 1/2 x 2 1/4" NC	4
	30 T09 846 Nut 1/2" NC	4
	30 T09 867 Washer, Flat 1/2" SAE	16
	30 T09 877 Washer, Lock 1/2"	4
<b>39</b>	30 T12 100 Movable Clamp Plate	6
	30 T12 801 Bolt 1/4 x 3/4" NC	12
	30 T12 841 Nut 1/4" NC	12
	30 T12 861 Washer, Flat 1/4" SAE	24
	30 T12 871 Washer, Lock 1/4"	12
<b>41</b>	30 T13 650 Broom 2" x 3' -- 4" bristles	3
<b>40</b>	30 T22 588 Turf Broom Weight Bar Assembly	1
	30 T22 832 Bolt 1/2 x 1" NC	2
	30 T22 877 Washer, Lock 1/2"	2

## TURF BROOM ASSEMBLED COMPONENTS

The turf broom accessories are first assembled into components at the Wood Bay manufacturing plant. When a turf broom is being shipped in the crate with a *greensIRON 3000*, the components are wrapped and packed around the machine, since a boxed assembly will not fit within the turf roller crate. When shipped separately as an after market add-on to a turf roller all but the caster wheel components are assembled for the unit to be packed in the box. The assembly components are:

1. Turf Broom End, Right Hand, consists of the appropriate end bracket (Figure 35) with a main clamp fixture, three movable clamp pieces, two spacers and the required bolts. The support bracket, right hand (Figure 33), is also bolted to the Turf Broom End.
2. Turf Broom End, Left Hand, consists of the appropriate end bracket (Figure 36) with a main clamp fixture, three movable clamp pieces, two spacers and the required bolts. The support bracket, left hand (Figure 34), is also bolted to the Turf Broom end.
3. Weight bar assembly (Figure 40) with its bolts.
4. Three broom sections (Figure 41).
5. Caster wheels (Figure 42) mounted on the broom height adjusters with locking nuts.

## INSTRUCTIONS FOR ASSEMBLING TURF BROOM

If you have received your turf broom in the crate with a new *greensIRON 3000* it will be necessary to follow the assembly steps as outlined.

Step 1. Unwrap the Turf Broom components and ensure that all parts and hardware have been enclosed. Refer to the above detailed description and the schematic drawing on page 1.

If your Turf Broom has arrived packed in its own box, go to Step 6.

Step 2. Select one Turf Broom end assembly and the three brushes. Slide the brushes into the clamps on one end assembly, and tighten the nuts on the 1/4" bolts for a loose fit.

- Step 3. Slide the clamp fixtures of the opposite Turf Broom end assembly on the brushes and tighten the 1/4" nuts for a loose fit of the clamp pieces.
- Step 4. Place the weight bar assembly (Figure 40) in position between the two end assemblies, and bolt it tightly in place with the 1/2" x 1" bolts. Ensure that the handle loop is pointed upward, and rotated approximately 45° toward the outside brush (see cover picture). This will facilitate lifting the Turf Broom by the operator while seated on the *greensIRON 3000*.
- Step 5. Place the loose assembly on your work bench to square it up, and push the end brackets and brooms together as much as possible. Tighten all bolts snugly on all of the clamp pieces and brackets.
- Step 6. Fit the wheel and height adjuster assemblies to the two ends of the Turf Broom such that the wheels are to the outside. Hand tighten the height adjusting nuts in place so that the broom bristles and the bottom of wheel are equal. Prior to using the Turf Broom adjust the height adjustment nuts as required; tighten the nuts snugly to lock the wheels in place.
- Step 7. Using the 1/2" x 1" bolts, secure the support bracket (right hand) (Figure 33) to the side of the *greensIRON 3000* at the chain drive end, and secure the support bracket (left hand) (Figure 34) to the turf roller side at the pedal end.

You will now have completed the initial mounting of the Turf Broom to your *greensIRON 3000*. Note that if you have also obtained the Turf Ventilator accessory, you will be ready to mount it immediately since the support brackets are the same for both units. Only the two connector bolts have to be removed to remove the Turf Broom and install the Turf Ventilator.

### **The Turf Broom Mounting Connection to the *greensIRON 3000***

The pivot point connection of the support brackets to the end brackets has been set up with a 1/2" bolt, three washers and a nylock nut so that the mounting connection can be set as loose or snug as desired for operation on your greens. When the mounting connection is snug, the Turf Broom will be restricted from bouncing on any unevenness encountered on a green. In addition, when the Turf Broom is turned up for regular rolling, or for loading the *greensIRON 3000* on to the trailer, it will hold more firmly in the turned up position.

## Operating Suggestions

The following are some suggestions to consider when operating your *greensIRON 3000* with the Turf Broom:

- Always check the height setting before starting Turf Broom operations on your greens. The height adjusters allow you to set the bristles aggressively to penetrate toward the root zone, or gently to brush across the top of the turf, or any setting in between.
- When brushing-in top dressing along the surface of the green, first push the top dressing with the Turf Broom being located in front of the *greensIRON 3000*. This may be followed by travelling across the green in the opposite direction. Repeat the operation in crossing patterns until the top dressing is evenly distributed and brushed in to the turf.
- On greens that are even surfaced, or relatively flat, the mounting connection bolts can be set quite snug.
- During most operations involving an undulating surface, however, it will be best to loosen the connection bolts and allow the Turf Broom to “float” over the surface to deposit evenly the top dressing in the lower sections.
- Use the Turf Broom in the cool part of the day to reduce turf bruising.
- Excellent results will be achieved using the *greensIRON 3000* Turf Broom when the top dressing is dry and is applied lightly.

## Comment

We trust that these instructions have enabled you to assemble and install your *greensIRON 3000* Turf Broom with a minimum of difficulties. If you have suggestions or wish to comment please let us know by telephone at 1-800-661-4942, e-mail at [woodbay@greensiron.com](mailto:woodbay@greensiron.com) or fax at 780-468-0059. We appreciate your assistance and thank you for choosing another Turf Boss Product.

**For further information contact your local distributor**

**or Wood Bay Turf Technologies 1-800-661-4942.**